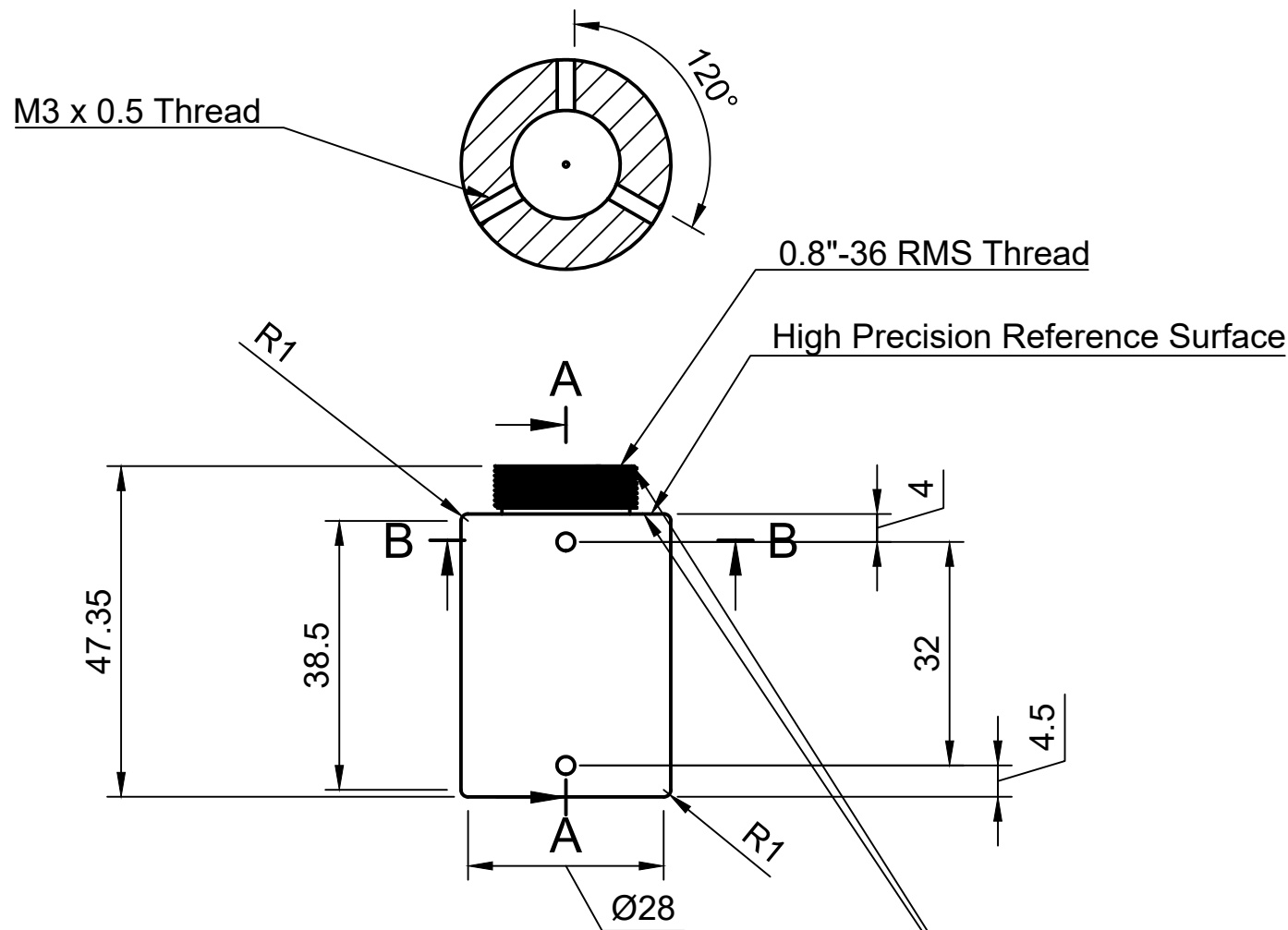
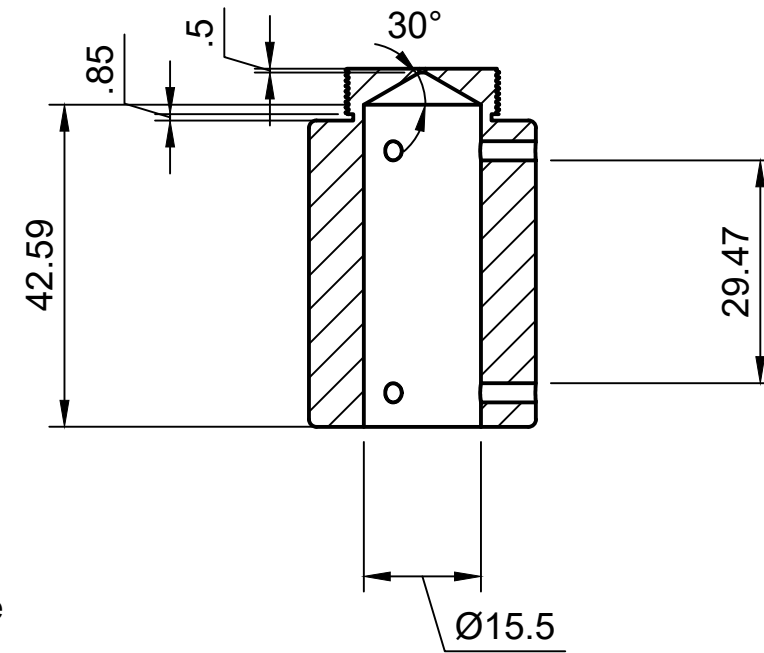


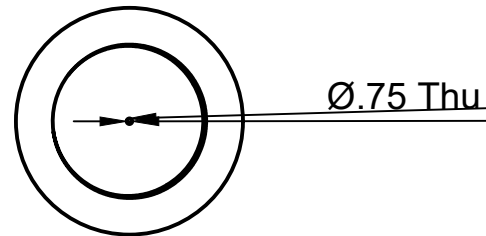
B-B (1:1)



A-A (1:1)



Top View



To be cut in one session without removing from the laith

Units: mm
 Material: Brass
 All tolerances 0.13mm
 Adapted from Sara Abrahamsson, et al,
 "MultiFocus Polarization Microscope (MF-PolScope) for 3D polarization imaging of up to 25 focal planes simultaneously," Opt. Express 23, 7734-7754 (2015)

Dept.	Technical reference	Created by Josh Edwards 24/12/2020	Approved by
		Document type	Document status
		Title Aignment-Laser	DWG No.
Rev.	Date of issue	Sheet	1/1